

Product Datasheet

LTE Klett-/Klebeantenne

CELLULAR/LTE Velcro/Adhesive Mount

Key Features

CELLULAR/LTE

- 698-960 MHz
- 1710-2170 MHz
- 2500-2700 MHz

Velcro/Adhesive Mount

Ground Plane Independent

Customizable Cable and Connector

Dimensions 116 × 22 × 6.7 mm



1. Antenna and electrical specifications

Parameters	CELLULAR / LTE Antenna		
Standards	2G,3G and 4G		
Band (MHz)	700/850/900	1700/1800/1900/2100	2600
Frequency (MHz)	698-960	1710-2170	2500-2700
Return Loss (dB)	~-17.3	~-14.6	~-15.9
VSWR	~1.3:1	~1.4:1	~1.4:1
Efficiency (%)	~65	~41	~34
Peak Gain (dBi)	~3.0	~2.2	~4.0
Average Gain (dB)	~-1.8	~-3.8	~-4.7
Impedance (Ohm)	50		
Polarisation	Linear		
Radiation Pattern	Omni-Directional		
Max. Input Power (W)	25		
Connector Type	SMA-Male Standard (Other Connectors Available)		
Cable Length	300 cm Standard (Any Cable Length Available)		
Cable Type	LMR100 Standard (Other Cables Available)		

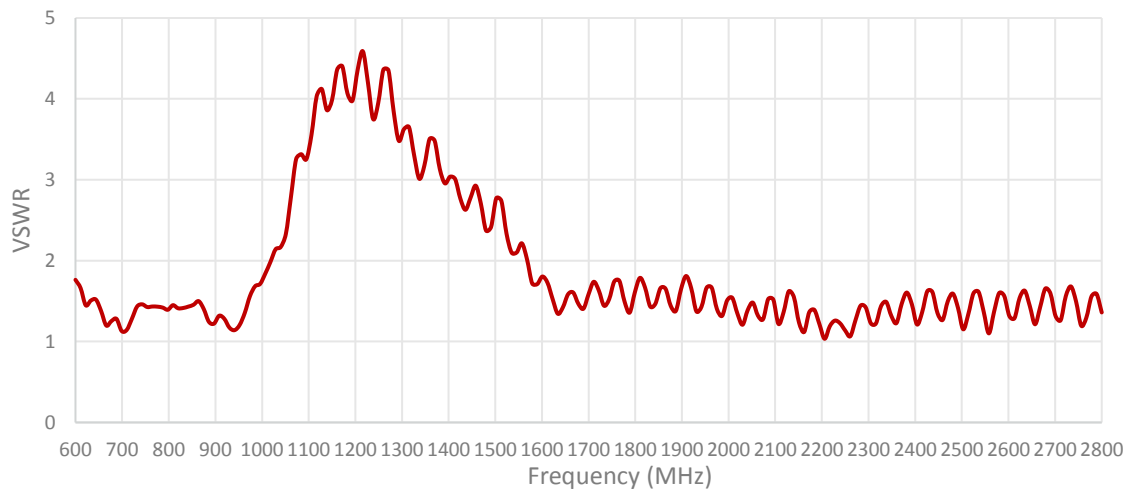
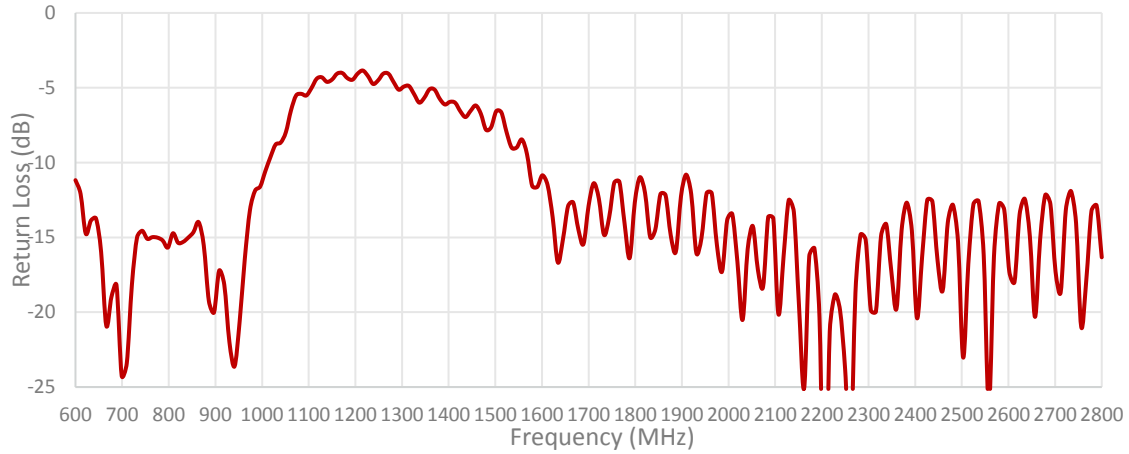
Antenna Measurement Conditions:

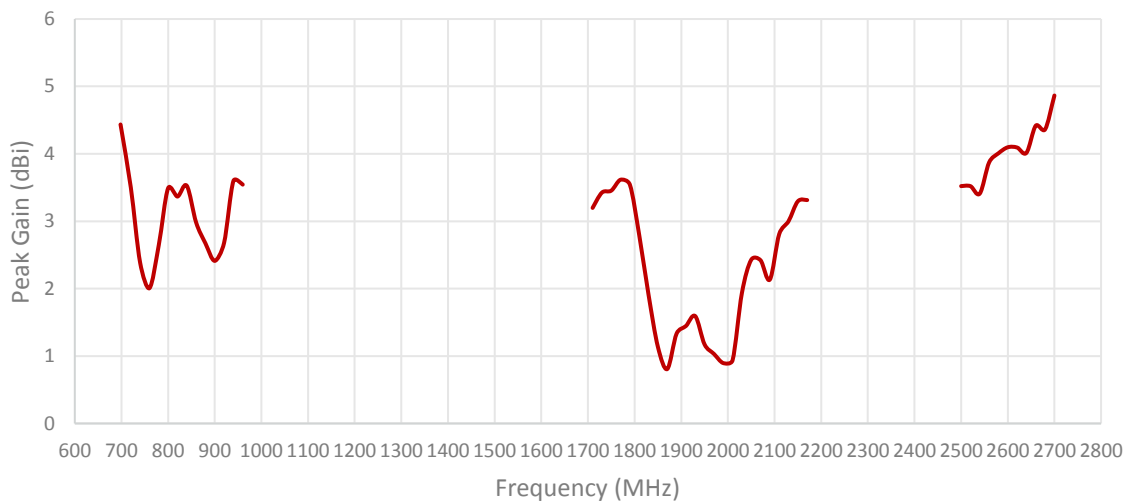
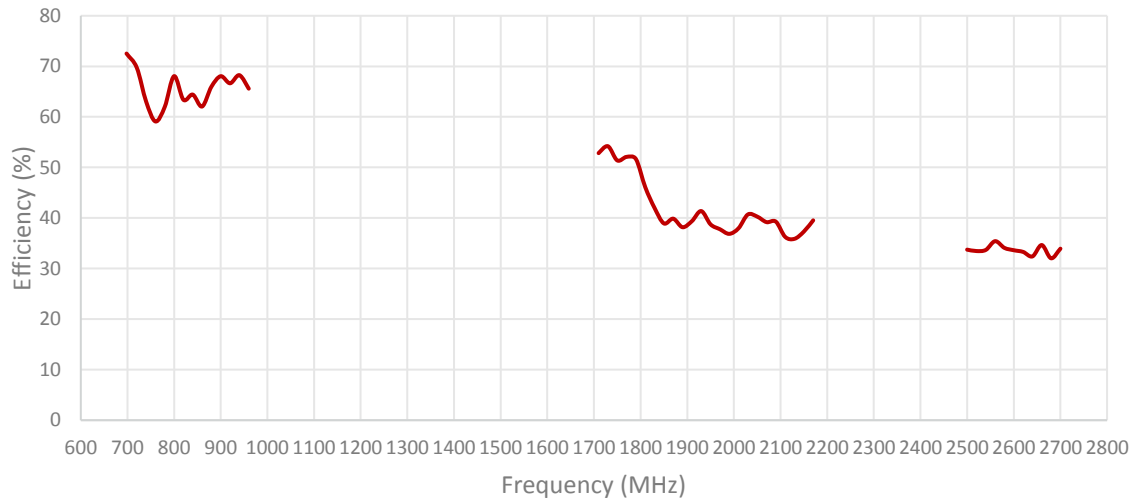
Mounted on 30 x 30 x 0.25 cm ABS Plate
200 cm of LMR100 Cable
Measured in Certified CTIA 3D Anechoic Chamber

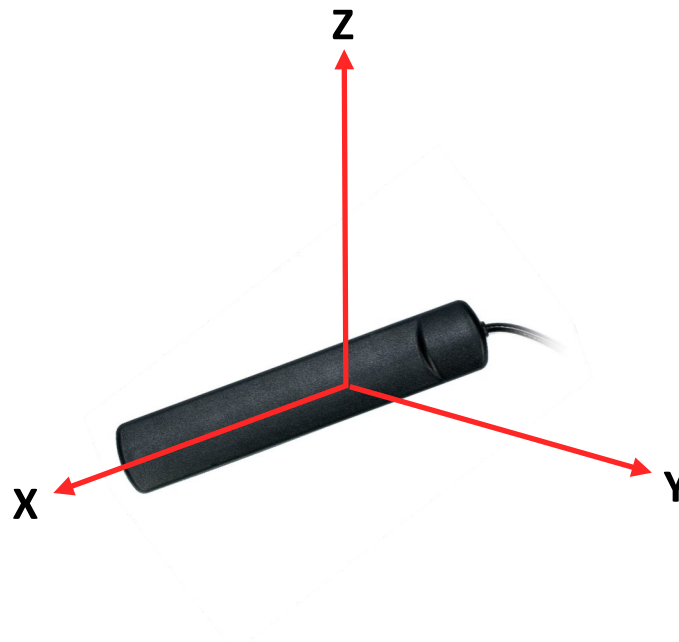
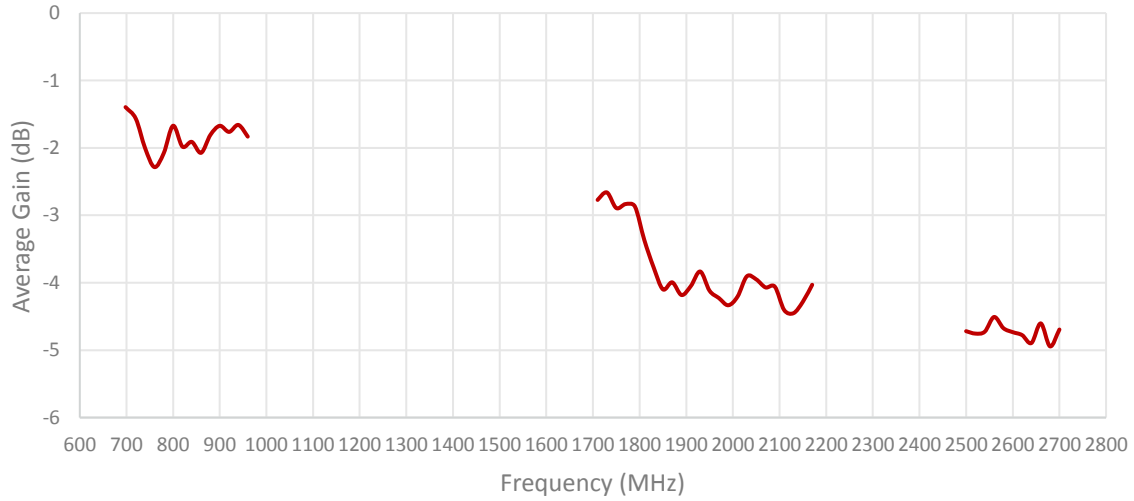
2. Mechanical and environmental specifications

Specifications	
Mounting Type	Velcro/Adhesive Mount
Dimensions (mm)	116 × 22 × 6.7
Radome	PC/ABS UV Stable
Radome color	Black
Operating Temperature (C)	-40 to +85
Storage Temperature (C)	-40 to +85
Substance Compliance	RoHS

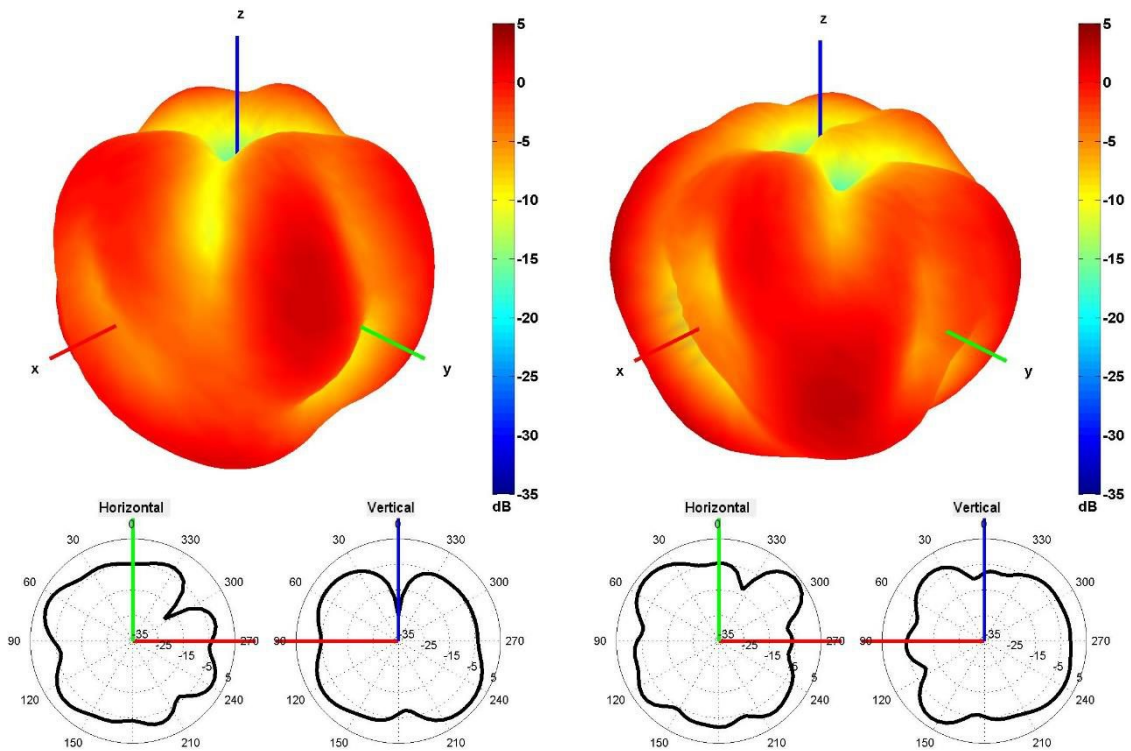
3. Antenna parameters



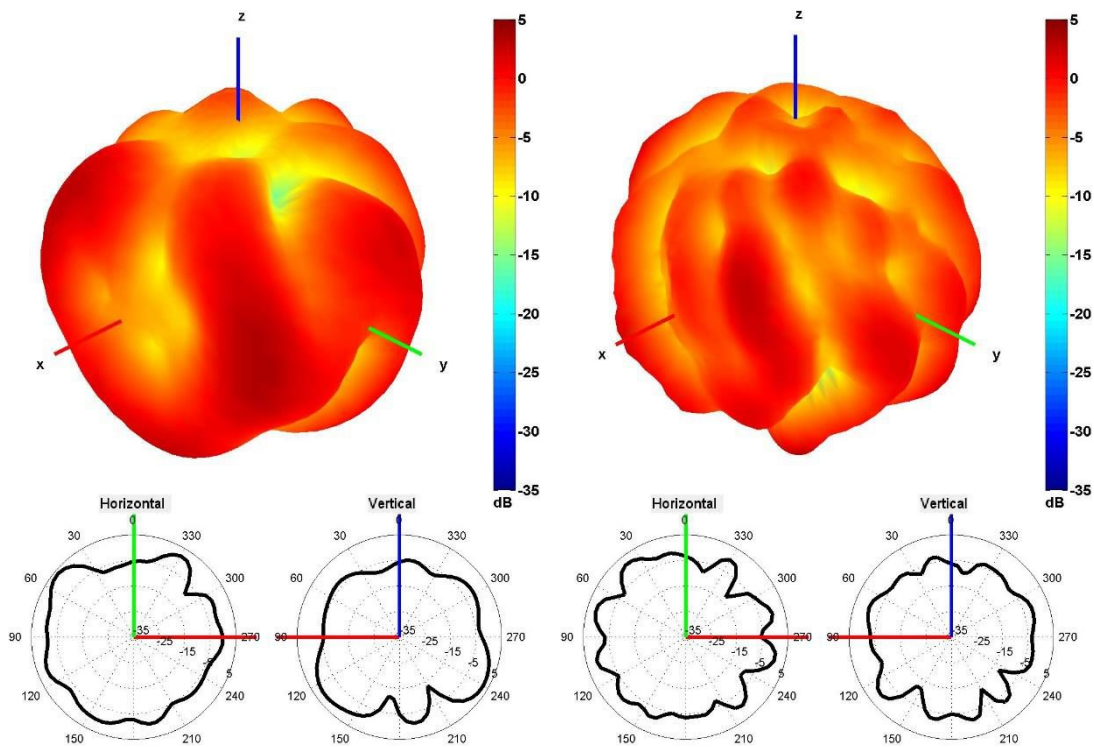




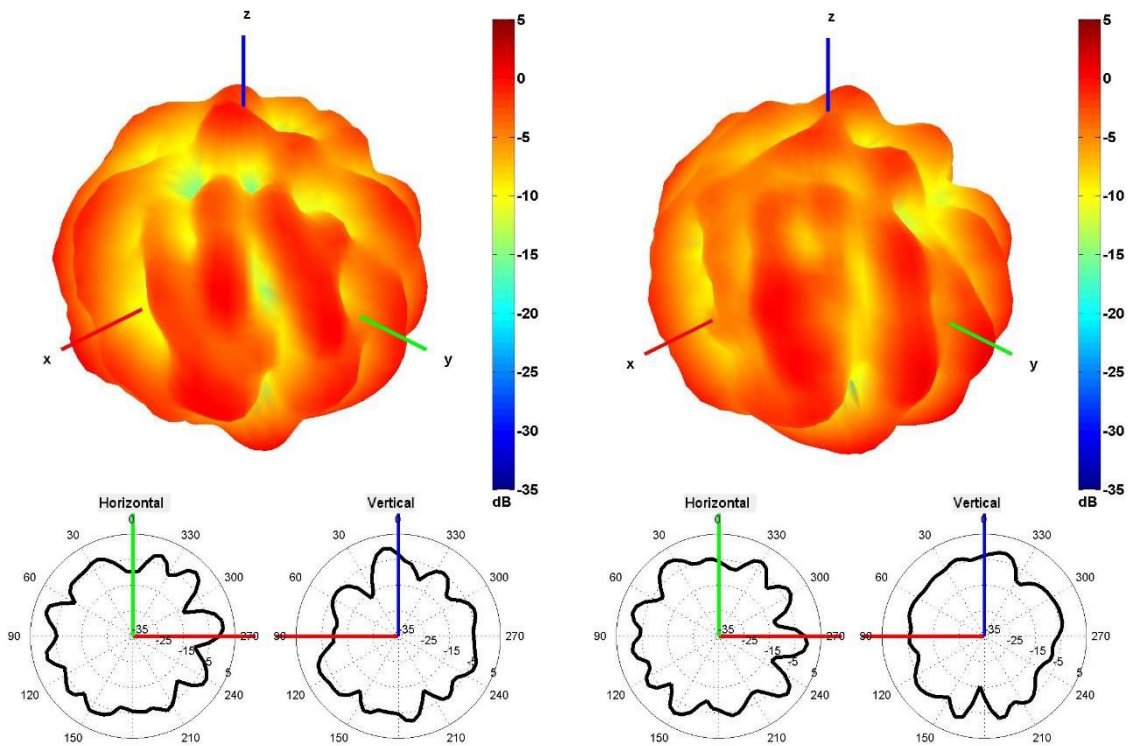
Radiation pattern reference



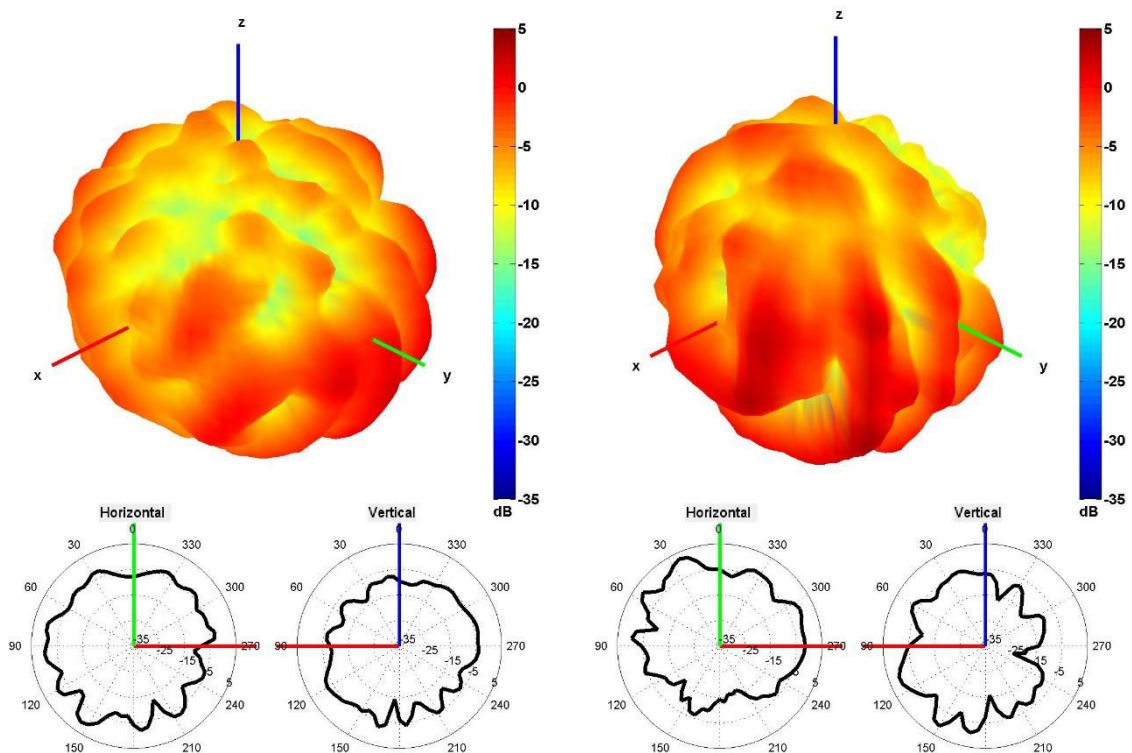
750 and 850 MHz Radiation pattern



940 and 1750 MHz Radiation pattern



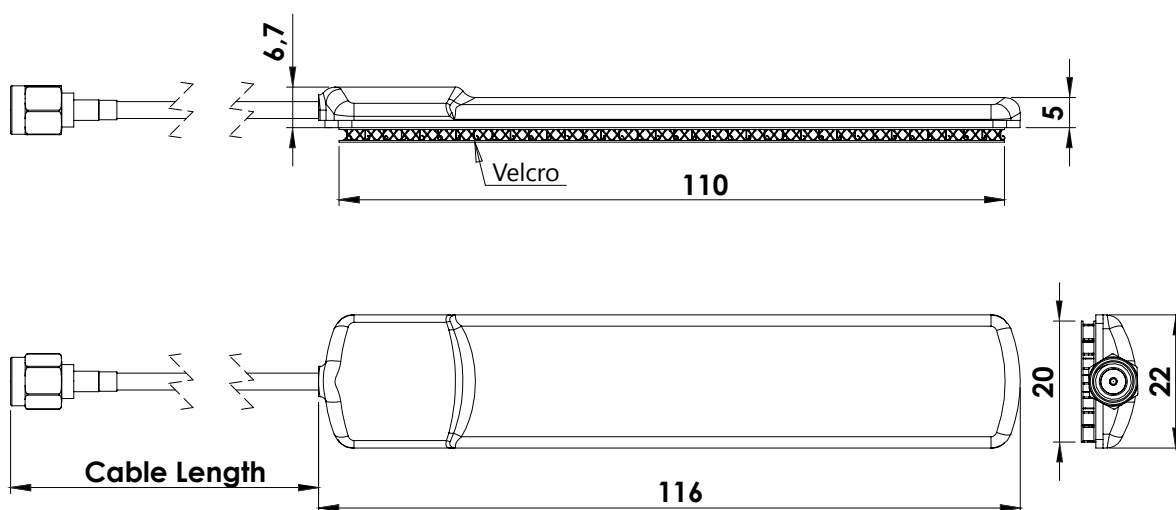
1850 and 1950 MHz Radiation pattern



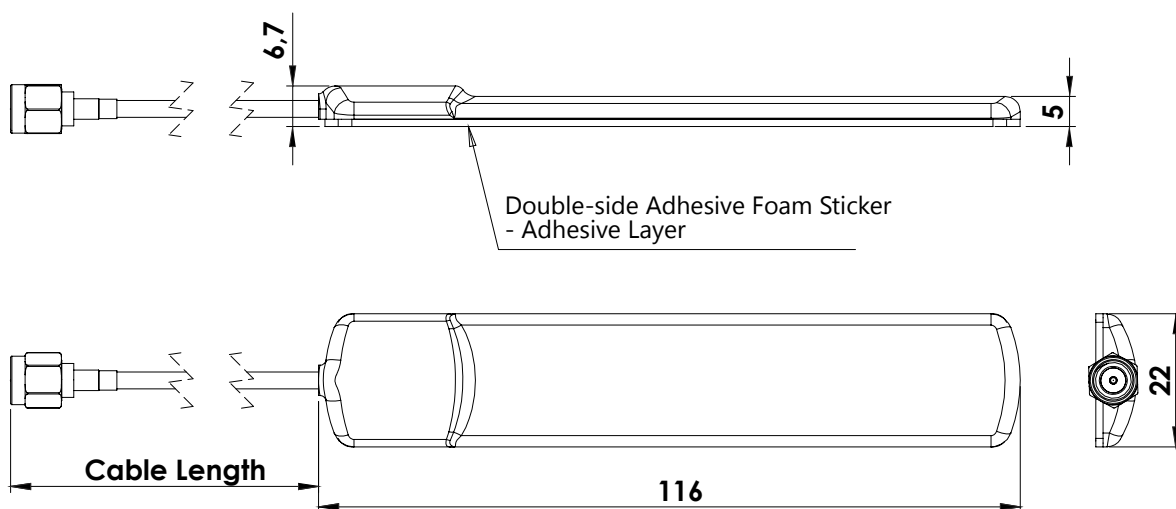
2100 and 2600 MHz Radiation pattern

4. Antenna drawings

Velcro Mount option



Adhesive Mount option



5. Antenna Images

